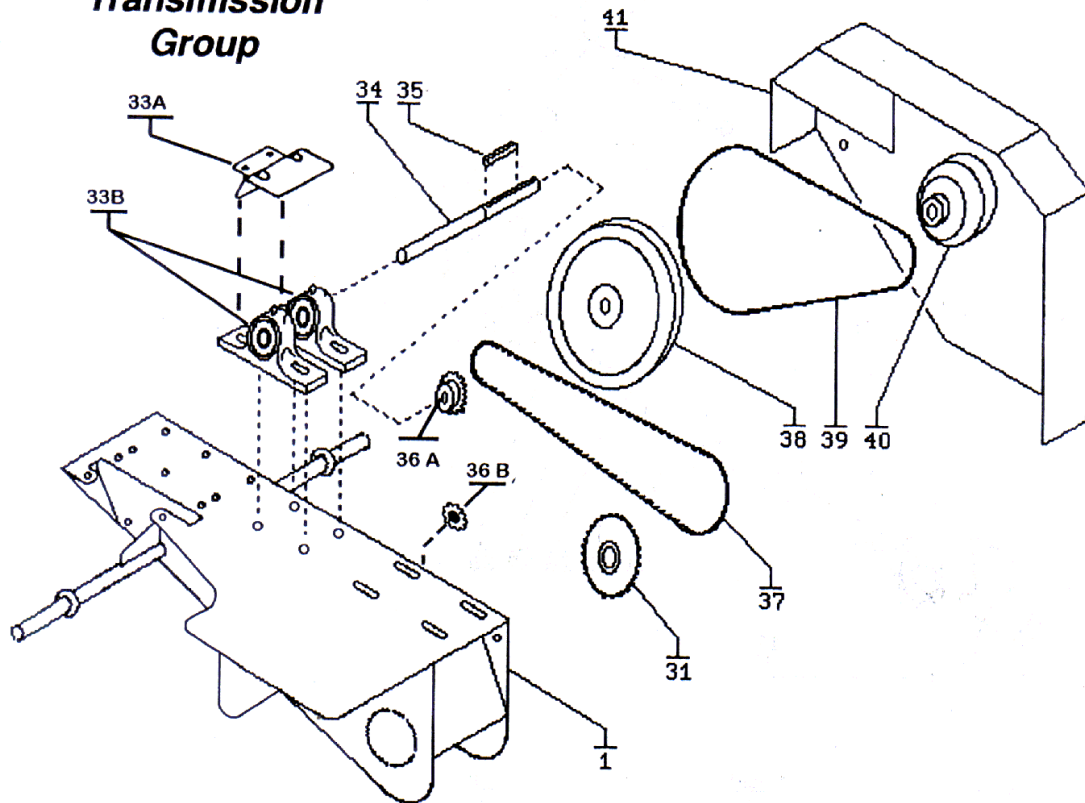
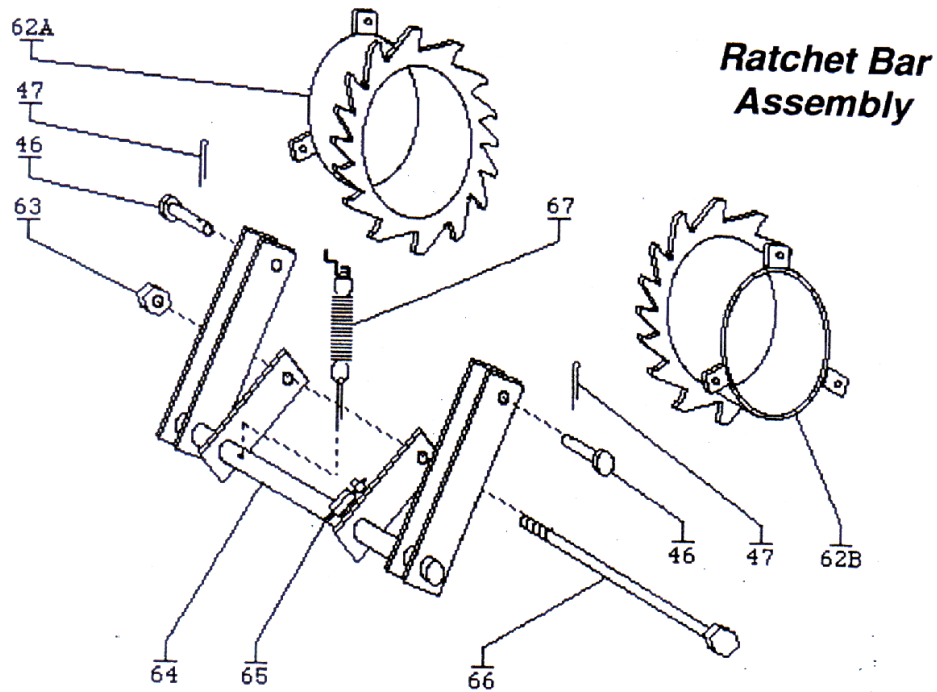


<u>REF. #</u>	<u>ITEM #</u>	<u>DESCRIPTION</u>
42.	6100	HANDLE BAR GRIP
43.	4400	DEPTH CONTROL HANDLE
44.	4405	DEPTH LOCATOR
45A.	4410	DEPTH CONTROL LEVER
45B.	CE001	PLUNGER SWITCH
46.	1514	CLEVIS PIN
47.	4420	COTTER PIN 1/8 X 1.5
48.	1503	WASHER
49.	4425	CONNECTING ROD
50.	4420	COTTER PIN 1/8 X 1.5
51.	4435	DEPTH CONTROL SPRING
52.	4430	LOWER SPRING WASHER
53.	4431	DEPTH CONTROL HANDLE STOP (BOLT)

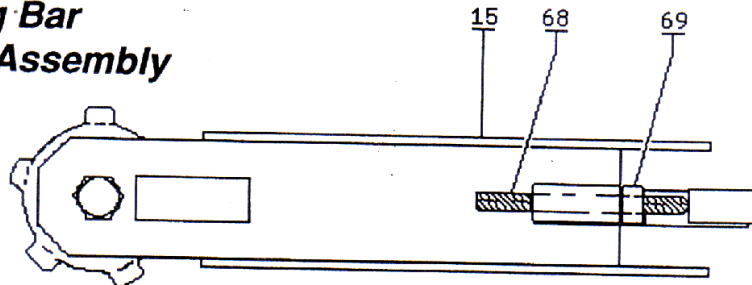
Power Transmission Group



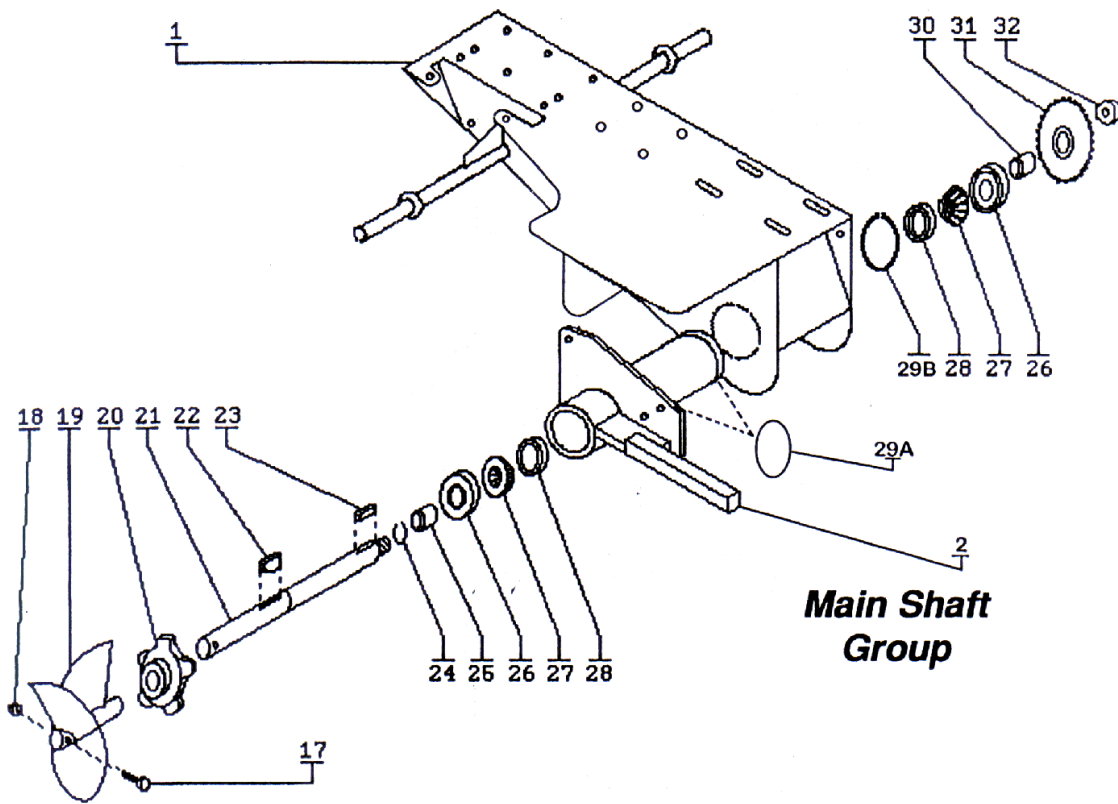
<u>REF. #</u>	<u>ITEM #</u>	<u>DESCRIPTION</u>
33A.	4316	PILLOW BLOCK COVER
33B.	4305	PILLOW BLOCK (MANDREL BEARING)
34.	4315	MANDREL SHAFT
	4320	PILLOW BLOCK ASSEMBLY W/ TWO #33 & 34
35.	23	3/16 X 3/16 SQUARE KEY
36. A	4325	PRIMARY SPROCKET
36. B	4355	IDLER SPROCKET
37.	4330	PRIMARY CHAIN
38.	4335	SHEAVE (AK84)
39.	4340	DRIVE BELT (AX36)
40.	900	CENTRIFUGAL CLUTCH
41.	4350	BELT GUARD



Digging Bar Adjustment Assembly



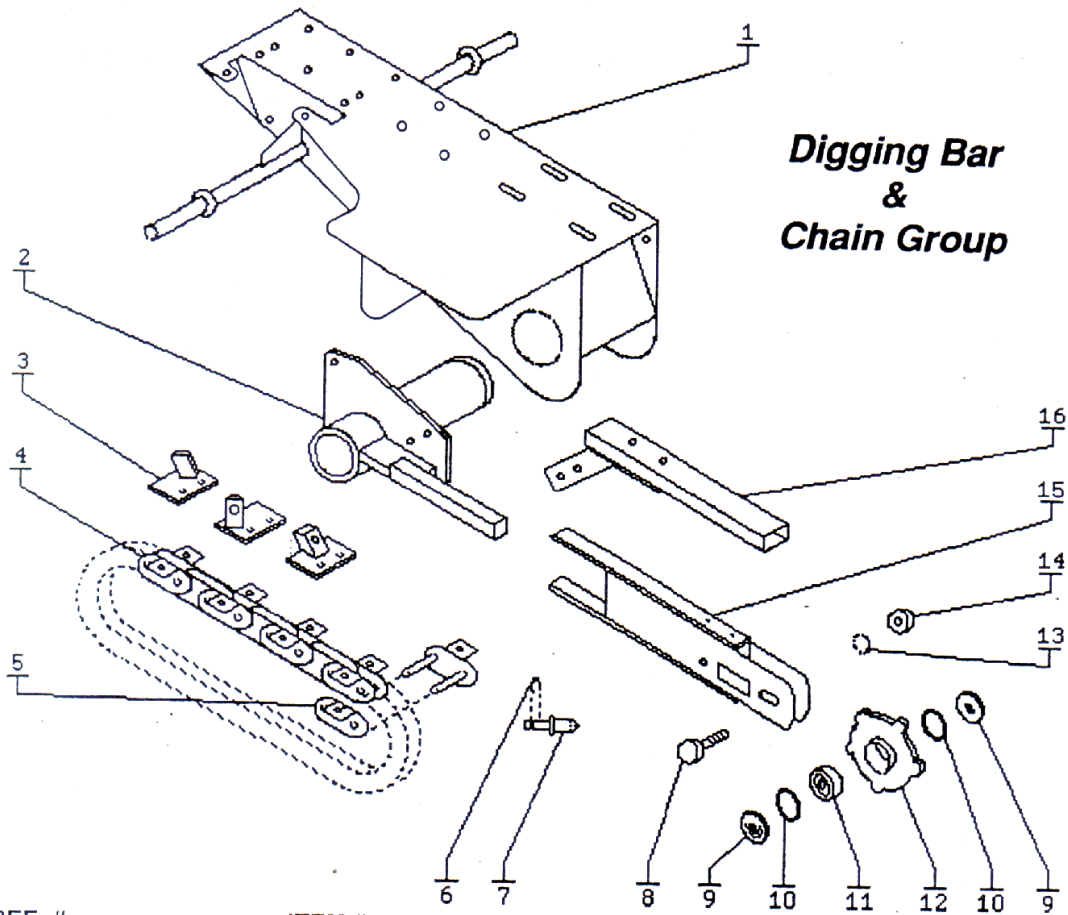
<u>REF. #</u>	<u>ITEM #</u>	<u>DESCRIPTION</u>
62A.	4601L	LEFT WHEEL RATCHET
62B.	4601R	RIGHT WHEEL RATCHET
63.	1518	3/8" NYLOCK NUT
64.	4602	RATCHET BAR
65.	4604	RATCHET BAR ADJUSTMENT BOLT & NUT
66.	1525	3/8 X 7 1/2 BOLT
67.	4603	RATCHET BAR TENSION SPRING 733
68.	4142	DIGGING BAR ADJUSTMENT BOLT
69.	4141	DIGGING BAR LOCK NUT



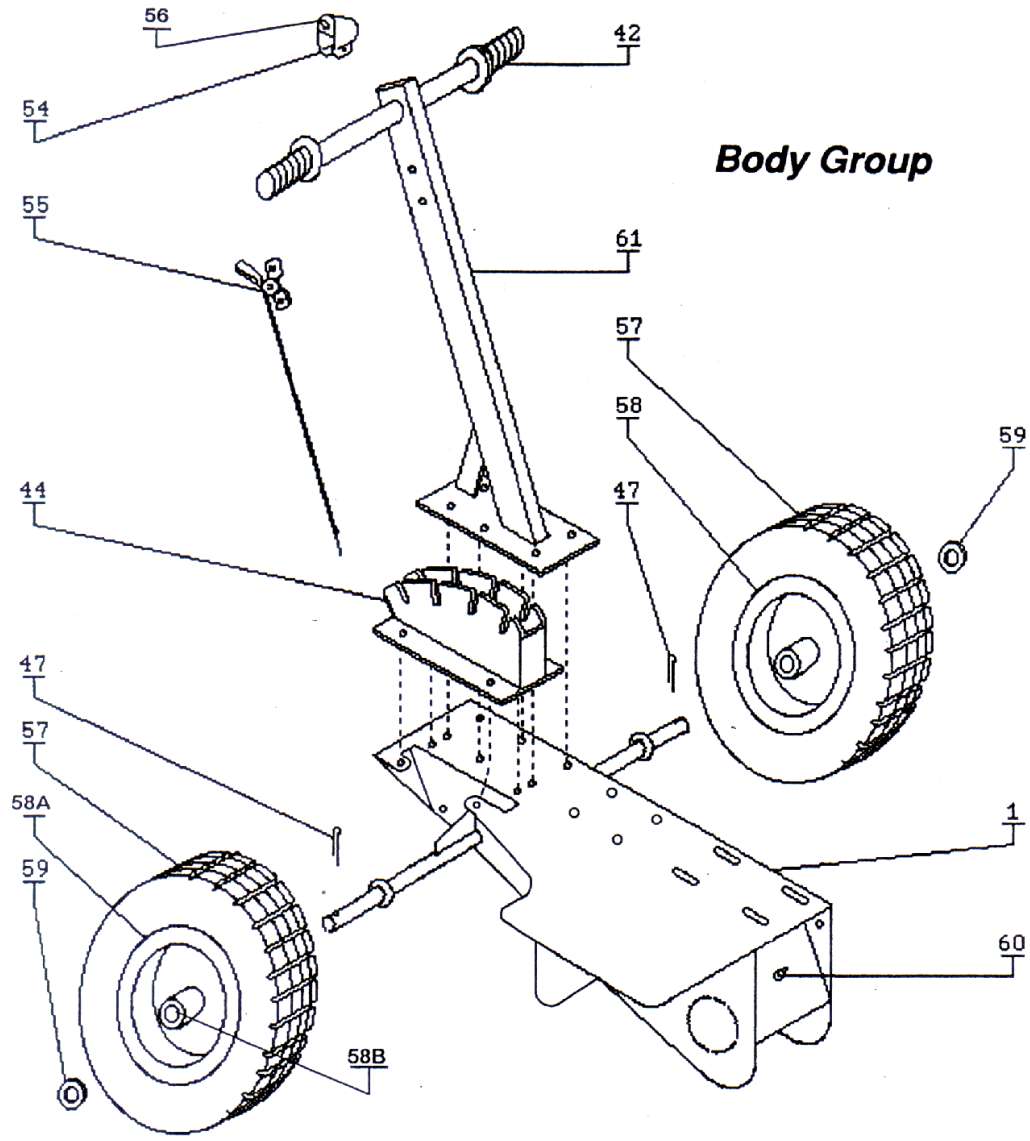
Main Shaft Group

<u>REF. #</u>	<u>ITEM #</u>	<u>DESCRIPTION</u>
17.	1510	AUGER RETAINING BOLT
18.	1518	3/8 N.C. SELF LOCKING NUT
19.	4200	SIDE DELIVERY AUGER
20.	4205	DIGGING CHAIN DRIVE SPROCKET
21.	4210	MAIN SHAFT
22.	21	1/4 X 1 1/4 WOODRUFF KEY
23.	22	1/4 X 1/4 SQUARE KEY
24.	4215	1 1/4 MAIN SHAFT SNAP RING
25.	4220	WIDE MAIN SHAFT SPACER
26.	4225	GRIT SEAL (3 REQUIRED)
27.	08125	TIMKEN CONE (BEARING)
28.	08231	TIMKEN CUP
29A.	4232	TRUNION "O" RING (2 REQUIRED)
29B.	4235	TRUNION TUBE SNAP RING
30.	4221	NARROW MAIN SHAFT SPACER
31.	4240	MAIN SHAFT DRIVE SPROCKET

Digging Bar & Chain Group



REF. #	ITEM #	DESCRIPTION
1.	4100	TRENCHER BODY
2.	4230	TRUNION (INCLUDES 2 ea # 4232 "O" RING)
3.	4171	LEFT BIT HOLDER
	4170	RIGHT BIT HOLDER
	4172	CENTER BIT HOLDER
4.	4130	DIGGING CHAIN
	4132C	COMPLETE CHAIN AND BIT SET (ASSEMBLED)
5.	4130-1	DIGGING CHAIN MASTER LINK
	4130-2	DIGGING CHAIN ROLLER LINK
6.	4176	BIT RETAINING CLIP
7.	4175	CARBIDE TIPPED BIT
8.	1704	DRIVEN SPROCKET AXLE
9.	4167	GRIT WASHER (DRIVEN SPROCKET)
10.	4166	SPIRAL RING
11.	4156	DRIVEN SPROCKET BEARING
12.	4161	DRIVEN SPROCKET
	4161-A	DRIVEN SPROCKET ASSEMBLY
13.	1710	LOCK WASHER
14.	1706	DRIVEN SPROCKET AXLE NUT
15.	4140	DIGGING BOOM
	4140-A	DIGGING BOOM ASSEMBLY
16.	4700	DIGGING CHAIN GUARD



Body Group

<u>REF. #</u>	<u>ITEM #</u>	<u>DESCRIPTION</u>
54.	4SS6	SWITCH MOUNT
55.	5551	THROTTLE ASSEMBLY
56.	4720	TOGGLE SWITCH
	4715	SWITCH W/ MOUNT
57.	4531	TIRE
58A.	4532	RIM
58B.	4530-1	BUSHING (2 PER RIM)
	4530	TIRE & RIM ASSEMBLY
59.	1700	AXLE WASHER
60.	4103	1/8" ZEK FITTING
61.	4510	HANDLE BAR